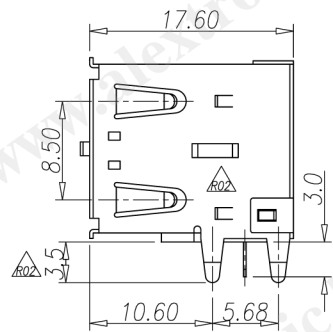
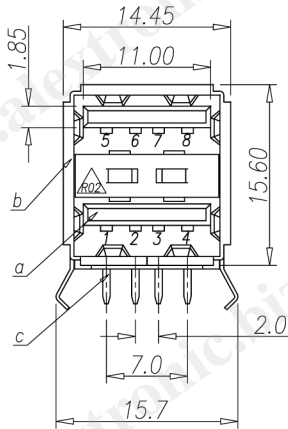


CATEGORY	DESCRIPTION	P/N #
CONNECTOR	USB type A Female, Right Angle, DIP type, Two Layer	UB1041-21FX0-XX10

REV.	ECN NO	DESCRIPTION	REVISED	DATE
R01		New Release	Pengjie	2009.04.07
R02		依實物修正圖面	Pengjie	2009.04.13



Specifications:

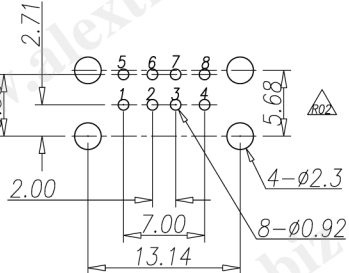
1. Rated Current: 1.5A
2. Contact resistance: 30mΩ MAX.
3. Insulation resistance: 1000MΩ MIN.
4. Dielectric withstand: 500V AC for 1 minute
5. Operating temperature: -55°C~+85°C
6. Insert force: 35N MAX.
7. Withdraw force: 10N MIN.

UB1041-21FX0-XX10

Color Scheme
Material & Plating

Table 1

X	Plating Type
1	Au: 1u"
2	Au: 3u"
3	Au: 15u"
4	Au: 30u"



Recommend PCB Layout
(Jack TOP View)

Tolerance: ±0.05mm

Recommend PCB Thickness: 1.6mm

Color Scheme	
XX	Housing
00	Black
01	White

Product Drawing
ALEXTRONIC

UNLESS OTHERWISE SPECIFIED TOLERANCES	SCALE: free	UNIT: mm	DWG. NO:	
	SIZE: A3	PAGE: 1 OF 1		REV: R02
DECIMALS: X :±0.5 X.X :±0.3 X.XX :±0.2	ANGLES: X :±2° X.X :±1'	APPROVED BY	CHECKED BY	PREPARED BY
		WYX	Pengjie	Pengjie
CUSTOMER COPY				

NO.	PART NAME	Q'TY	MATERIAL	PLATING & COLOR	Remark
c	Contact	8	C5191, T=0.25mm	See Table 1	
b	Shell	1	C2680R, T=0.30mm	Ni Plating	
a	Housing	1	PBT UL94V-0	See Color Scheme	